

For reference only. See data sheet for the detailed specifications.

## Technical Specification



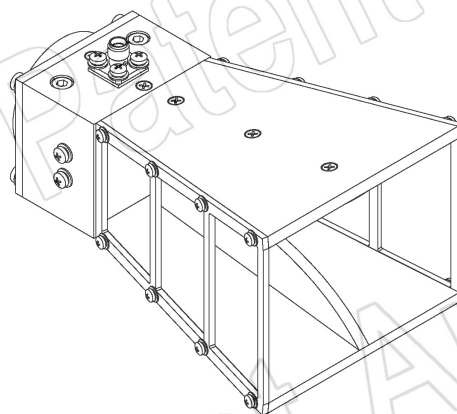
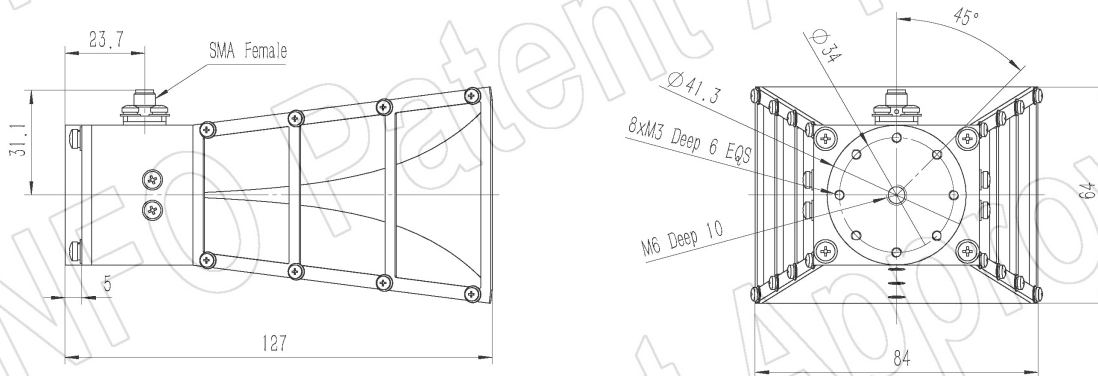
Frequency Range(GHz)	2.0 – 24.5	
Gain(dBi)	13 Typ.	
Polarization	Linear	
3dB Beamwidth(deg)	E Plane:	90 - 11
	H Plane:	103 - 11
Cross Pol. Isolation(dB)	25 Typ.	
VSWR	1.5:1 Typ.	
	3.0:1 Max.	
Connector	SMA-Female	
Power Handling(W CW)	50 Max.	
Material	Al	
Finish	Chemical Conversion Coating	
Size(mm)	84 x 64 x 127	
Net Weight(Kg)	0.35 Around	

PATENT ID (China)

ZL201630454582.0

## Outline Drawing (Size: mm)

SMA-Female Output (P/N: LB-20245-SF)



AINFO Inc.

Page 1 of 13

China(Beijing):  
China(Chengdu):  
USA :

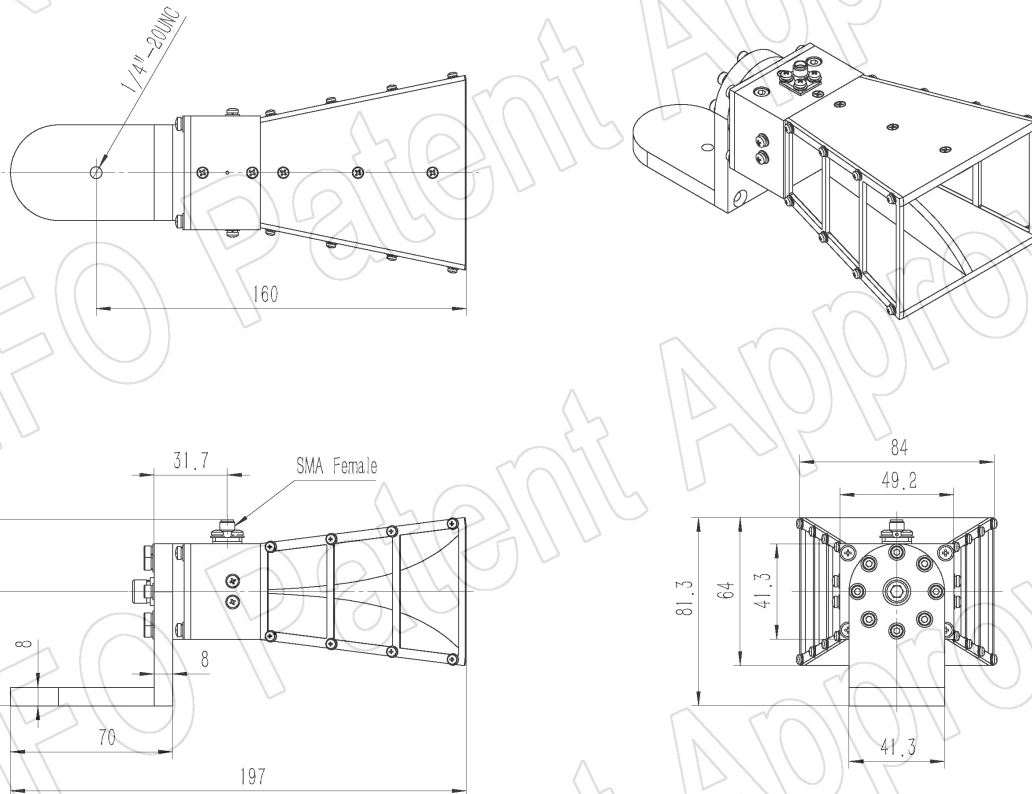
Tel: (+86) 10-6266-7326,  
Tel: (+86) 28-8519-2786,  
Tel: (+1) 949-639-9688,

(+86) 10-6266-7327  
(+86) 28-8519-3044  
(+1) 949-639-9608

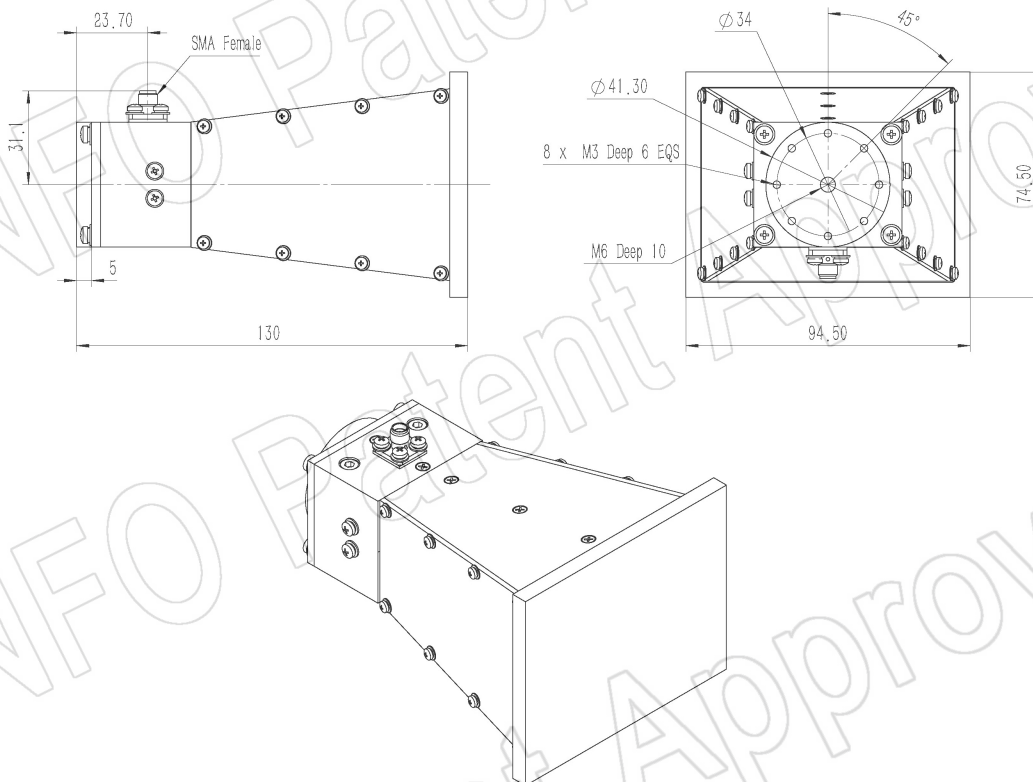
Fax: (+86) 10-6266-7379  
Fax: (+86) 28-8519-3068  
Fax: (+1) 949-639-9670

Website: [www.ainfoinc.com](http://www.ainfoinc.com)  
Email: [sales@ainfoinc.com](mailto:sales@ainfoinc.com)

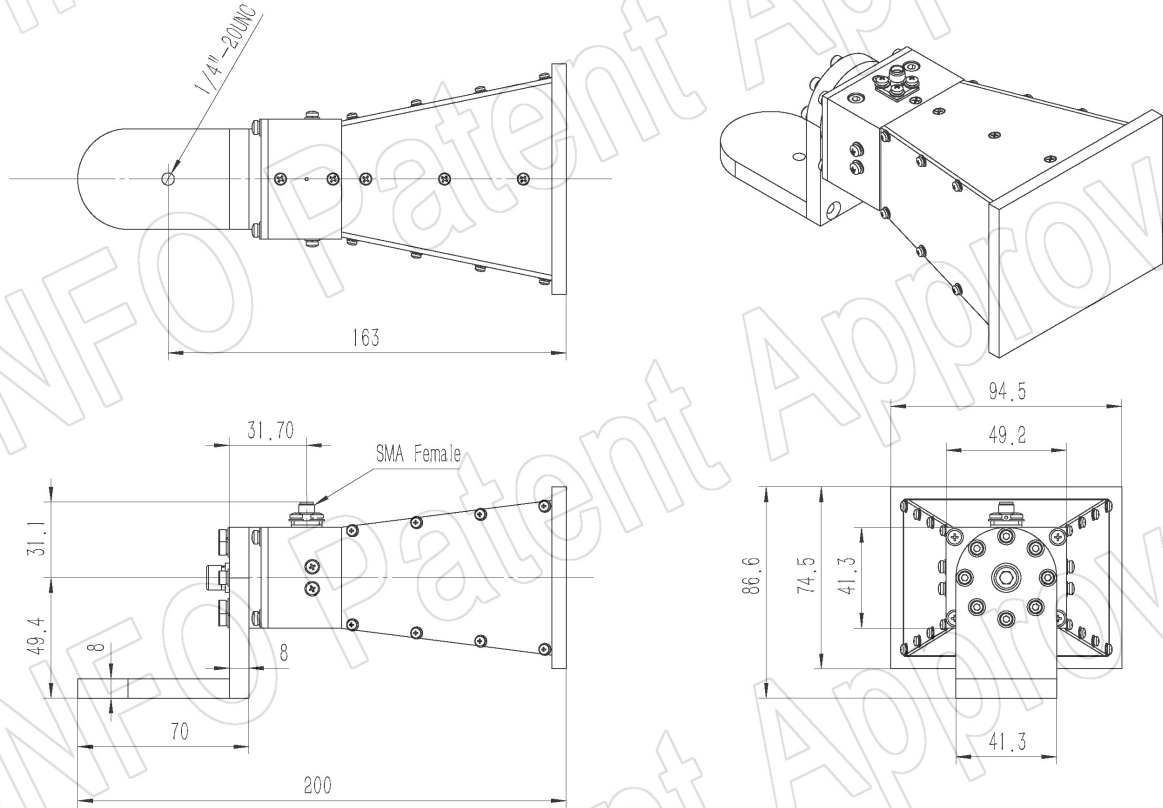
SMA-Female Output with L Type Mounting Bracket (Option, P/N: LB-20180-L)



SMA-Female Output with Radome (Option, P/N: LB-20245-SFSP0, Outdoor Application)

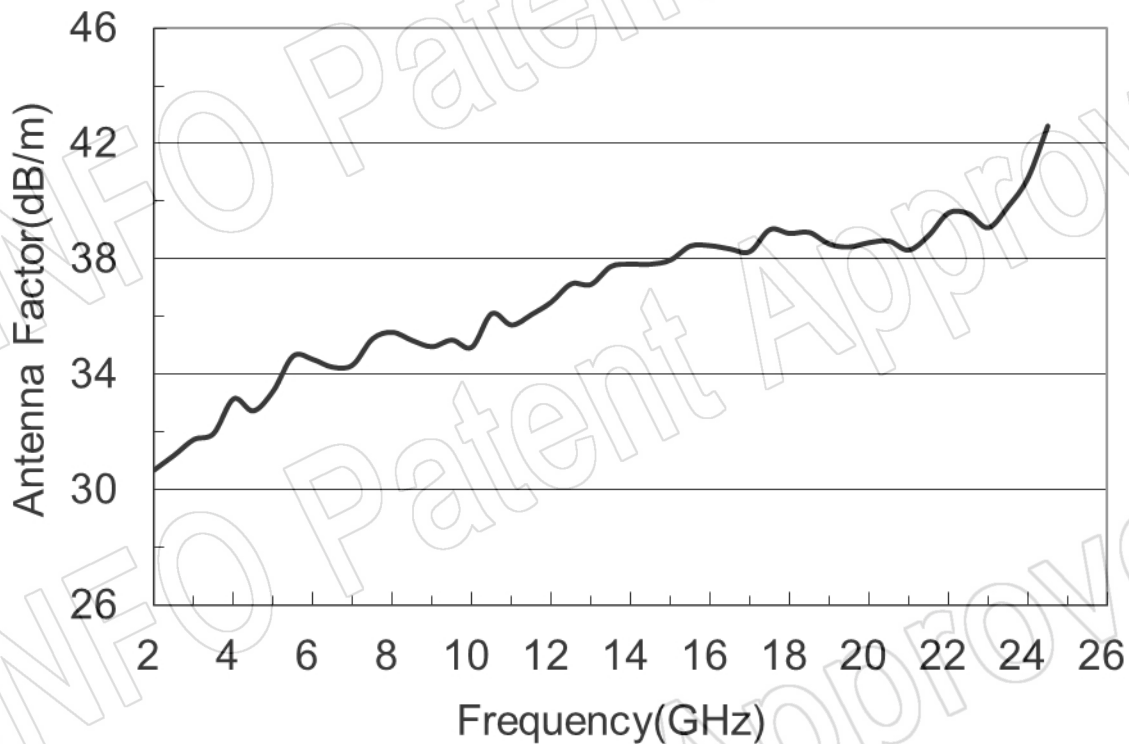
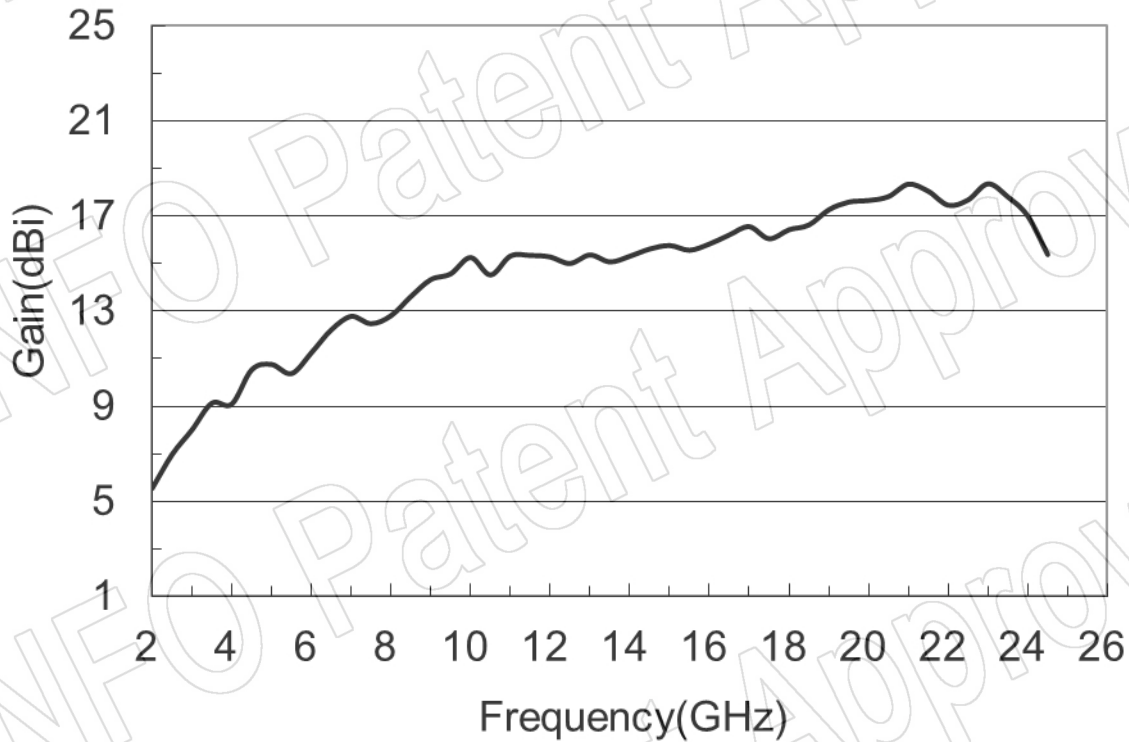


SMA-Female Output with L Type Mounting Bracket & Radome (Option, P/N: LB-20180-L & LB-20245-SFSP0, Outdoor Application)

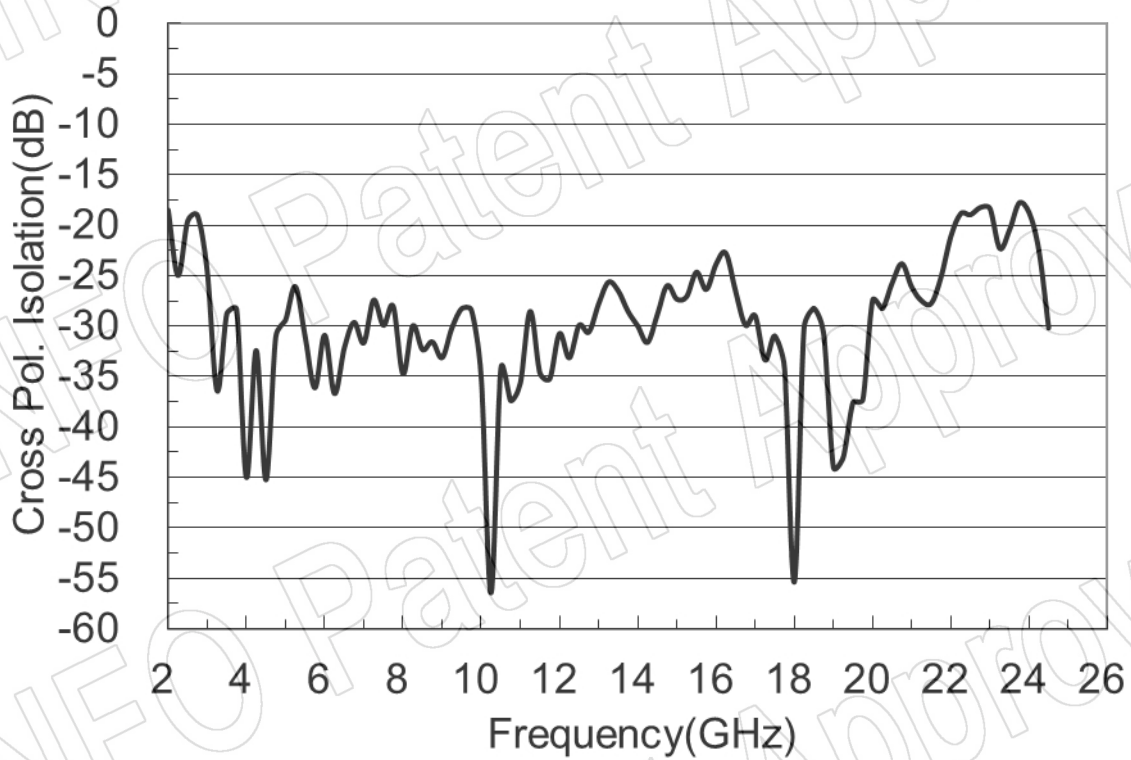


## Test Results

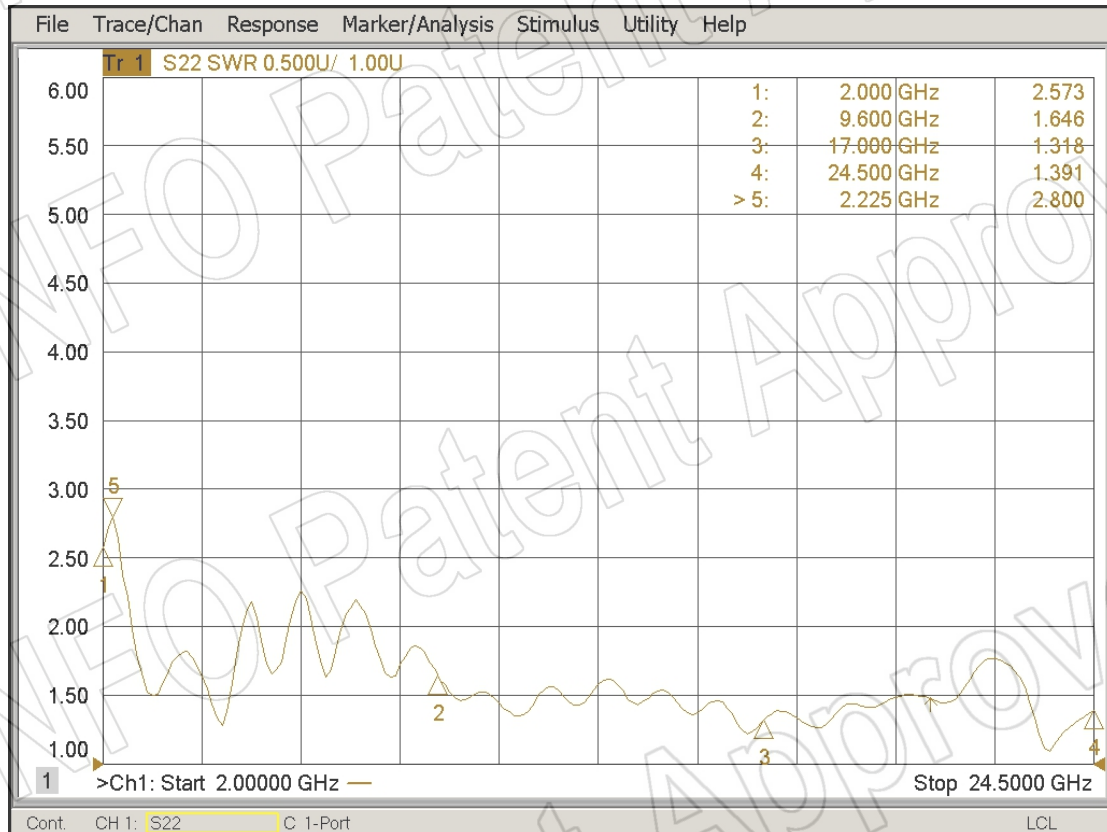
### 1. Gain & Antenna Factor



## 2. Cross Pol. Isolation



## 3. VSWR



## 4. Pattern

